

**GLAZING TYPE**

ACRYLIC DOUBLE DOME(S) ■

**DOME COLORS (outer/ inner)**

	Approx Light Transmission
CLEAR/ CLEAR	84%
BRONZE/ CLEAR	25%
BRONZE/ BRONZE	7%
CLEAR/ STANDARD WHITE	47%
STANDARD WHITE/ CLEAR	47%
OTHER	

**FRAME FINISH**

- MILL FINISH
- BRONZE PAINTED
- WHITE PAINTED
- CLEAR ANODIZED
- OTHER

**CURB WALL HEIGHT**

**LOW Profile = 4" Curb Height**

**HIGH Profile = 6" Curb Height**

**SKYLIGHT DIMENSION**

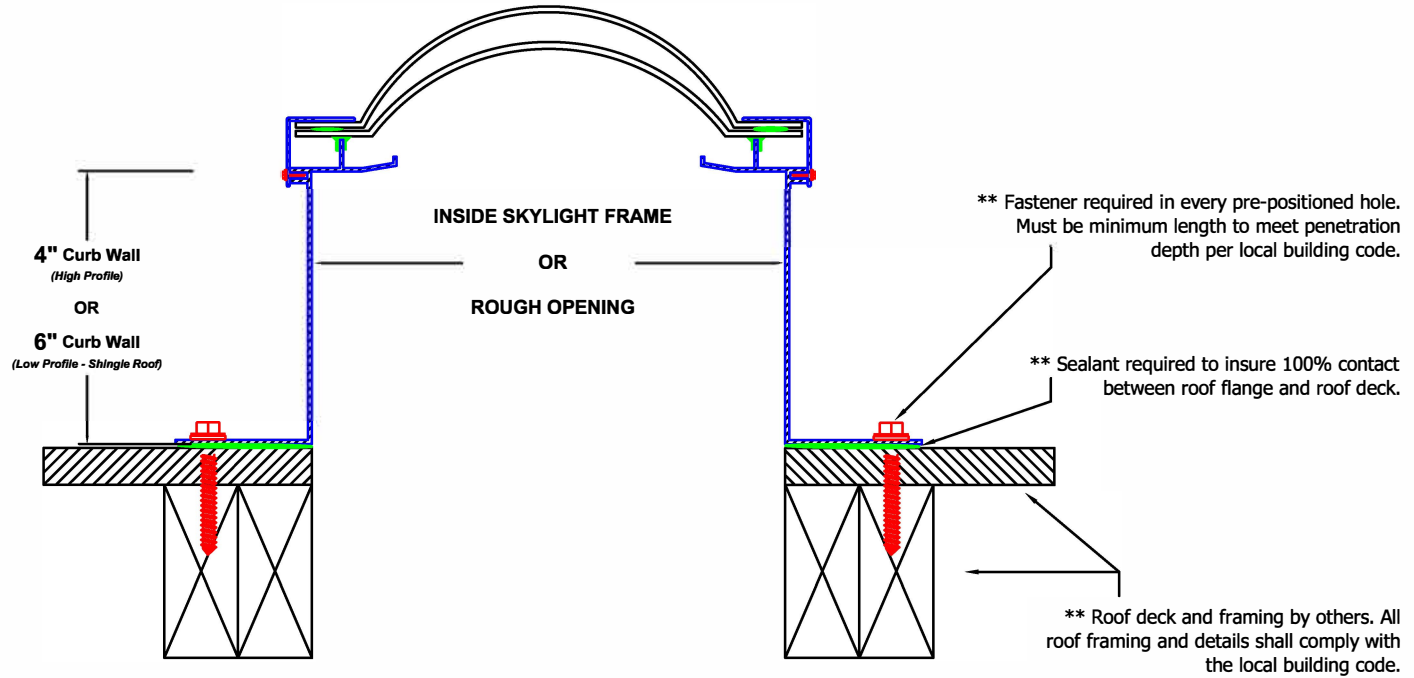
**ROUGH OPENING: "RO" ■**

*THE ROUGH OPENING IS ALSO KNOWN AS THE "ID" or INSIDE SKYLIGHT FRAME DIMENSION*

QTY =

SIZE =

**MODEL SF: Self Flashing Low Profile 4" & High Profile 6"**



**TESTING & CERTIFICATIONS**

- \*\*Tested and conforming to AAMA/WDMN/CSA 101/I.S.2/A440-08
- \*\*North American Fenestration Standard/Specification for Skylights
- \*\*Air Penetration = <0.01 cfm/ft2
- \*\*Water Penetration = 9.19psf
- \*\*U-Factor = 0.73 (NFRC 100 200) ; SHGC = 0.28 (NFRC 200 2010)
- \*\* Design Pressure = ± 60.15psf



**APPROVAL SIGNATURE & DATE**

**Birdview**  
**SKYLIGHTS**

201 Longhorn Rd, Fort Worth TX 76179  
P: 817-439-9266 F: 817-232-8468