

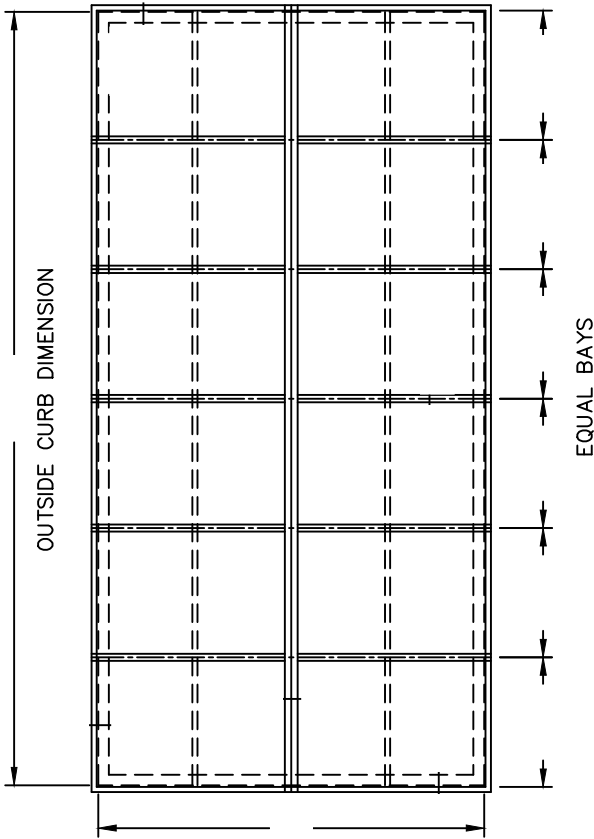
# Birdview SKYLIGHTS

201 Longhorn Rd, Fort Worth TX 76179  
P: 817-439-9266 F: 817-232-8468

DATE:	PROJECT:	LOCATION:	ZIP CODE
CUSTOMER:		Attn:	FAX:

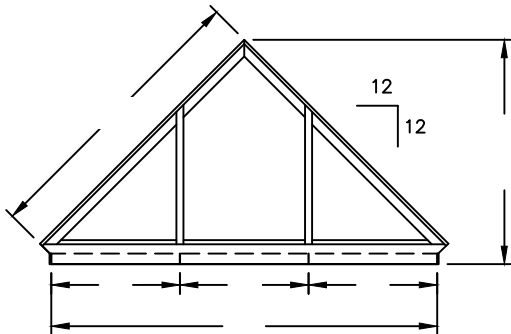
### SPECIFICATIONS

DESC.	QTY	MODEL	DIMENSION "A" OCD-WIDTH	DIMENSION "B" OCD-LENGTH	GLAZING SYSTEM	PITCH	FINISH



OUTSIDE CURB DIMENSION

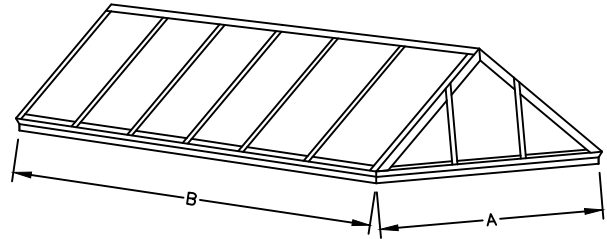
1 SKYLIGHT PLAN VIEW  
Scale: NTS



OUTSIDE CURB DIMENSION

2 SKYLIGHT ELEVATION  
Scale: NTS

RIDGE LIGHT - Curb Mount



#### GENERAL NOTES

1. EXTRUDED ALUMINUM INNER FRAME WITH INTERGAL CONDENSATION GUTTER ALLOY 6063-15 WITH MINIMUM EFFECTIVE OF .109 INCH.
2. EXTRUDED ALUMINUM SILLS, RAFTERS, RETAINERS AND GLAZING BARS TO BE A MINIMUM THICKNESS OF 1/8"
3. THICKNESS OF ALUMINUM DETAILS TO BE AS NOTED IN THE DETAILS
4. FINISH TBD
5. GLAZING TBD
6. INSTALLATION BY OTHERS
7. SKYLIGHT CAN BE SHIPPED ASSEMBLED
8. LEAD TIME FOR THIS UNIT IS ± 5 WEEKS AFTER RECEIVING SIGNED APPROVALS UNLESS OVER SIZED UNIT
9. ANY CHANGES THAT OCCUR AFTER APPROVAL MAY RESULT IN AN ADD TO THE PRICE

APPROVED BY: \_\_\_\_\_

DATE \_\_\_\_\_

# BIRDVIEW SKYLIGHTS

201 LONGHORN RD. FT. WORTH TX. 76179

TEL: 800-731-0326 FAX: 817-232-8468

