

**GLAZING TYPE**

- ACRYLIC DOUBLE DOME(S)
- POLYCARBONATE DOME(S)
- IMPACT MODIFIED ACRYLIC DOME(S)

**DOME COLORS (outer/ inner)**

Approx Light Transmission

CLEAR/ CLEAR	84%
CLEAR/ WHITE	27%
WHITE/ CLEAR	27%
BRONZE/CLEAR	25%

**FRAME FINISH**

- MILL FINISH
- BRONZE PAINTED
- OTHER

**ACTUAL NUMBER OF BAYS:**

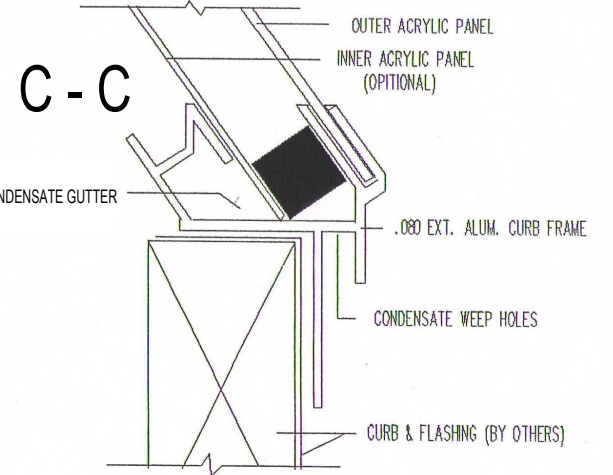
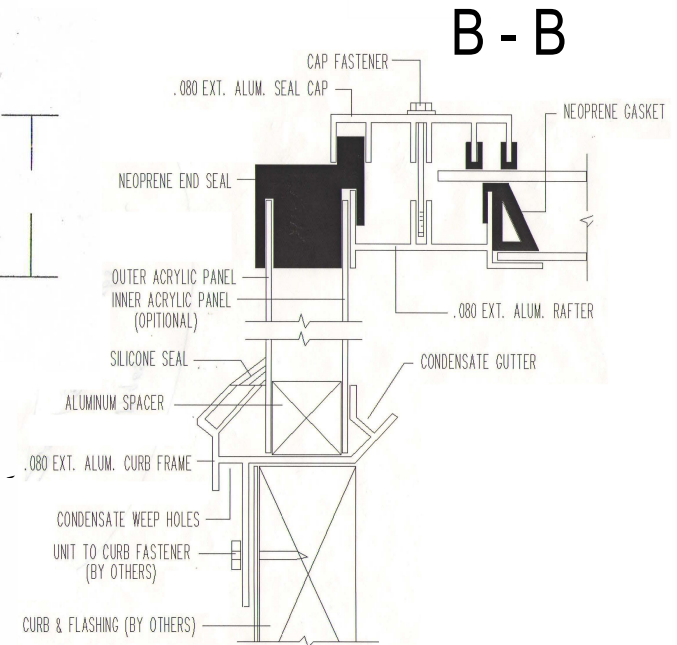
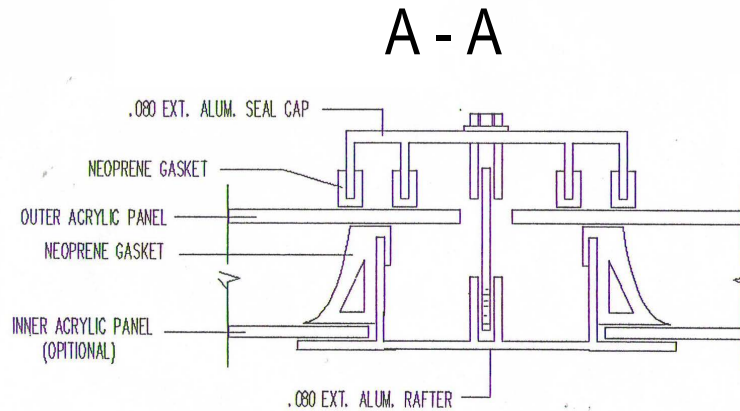
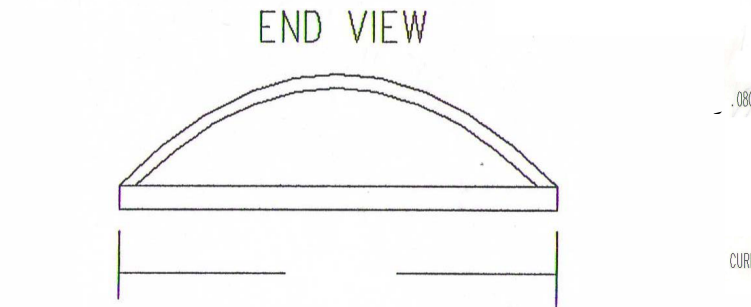
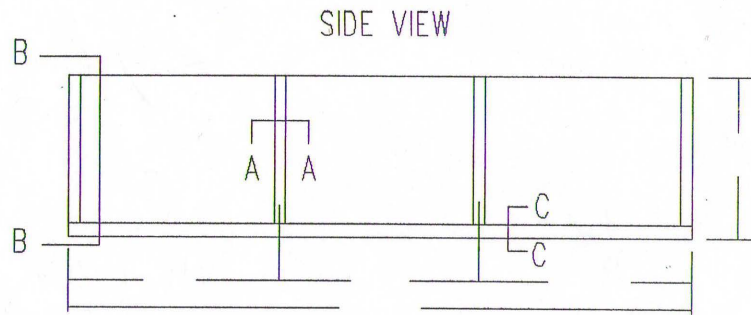
**SKYLIGHT DIMENSION**

EXISTING CURB DIM OR  
ID SKYLIGHT FRAME DIM

QTY =

SIZE =

**BARREL VAULT CURB MOUNT - BVCM**



APPROVAL SIGNATURE & DATE

**Birdview**  
**SKYLIGHTS**

201 Longhorn Rd, Fort Worth TX 76179  
P: 817-439-9266 F: 817-232-8468