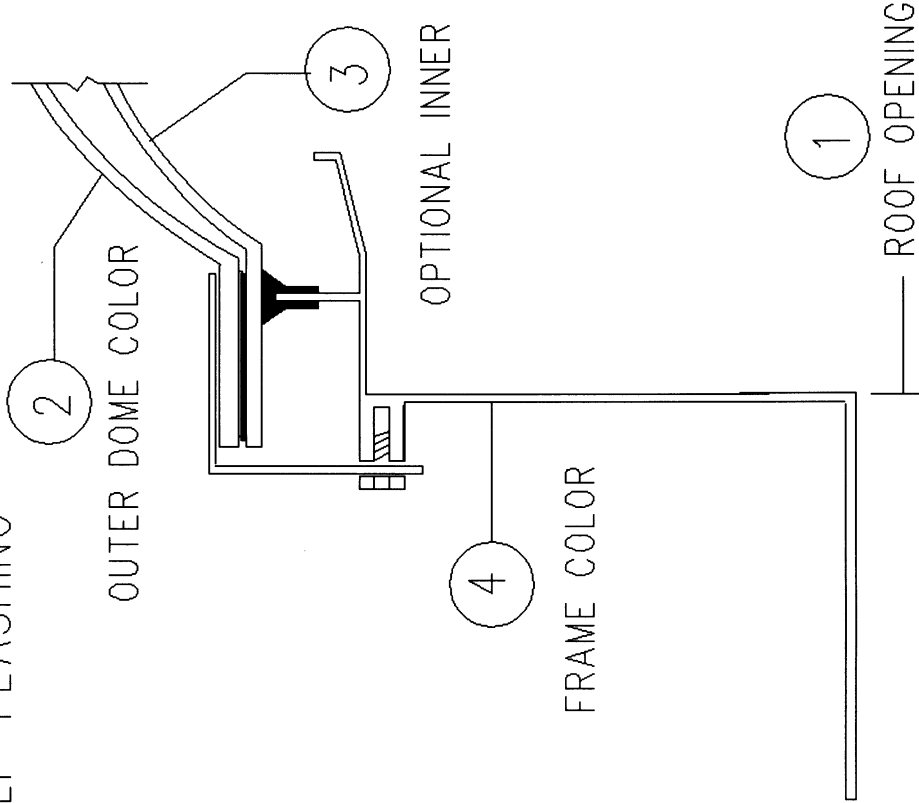


BIRDVIEW SKYLIGHTS

201 LONGHORN RD., FT. WORTH TX. 76179
 TEL: 800-731-0326 FAX: 817-232-8468

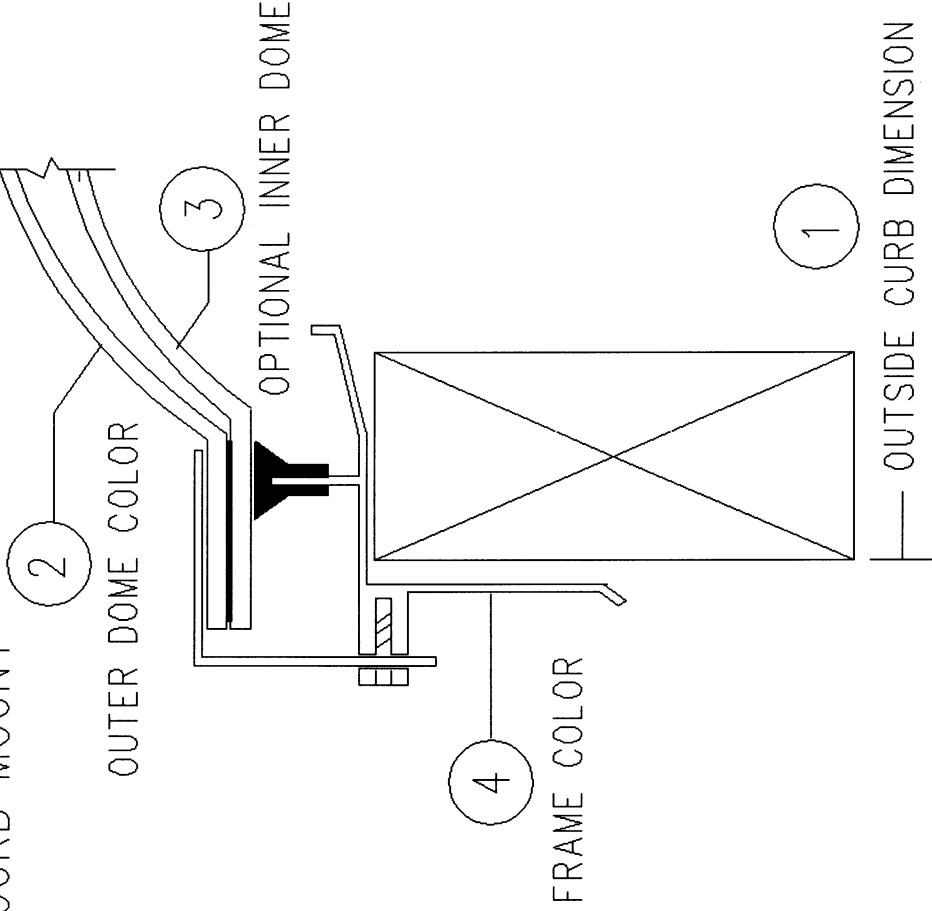
CHECK LIST FOR ORDERING SKYLIGHTS SELF-FLASHING OR CURB MOUNT

SELF-FLASHING



1. ROOF OPENING = X
2. OUTER DOME COLOR
3. OPTIONAL INNER DOME COLOR
4. FRAME COLOR

CURB MOUNT



1. OUTSIDE CURB DIMENSION = X
2. OUTER DOME COLOR
3. OPTIONAL INNER DOME COLOR
4. FRAME COLOR